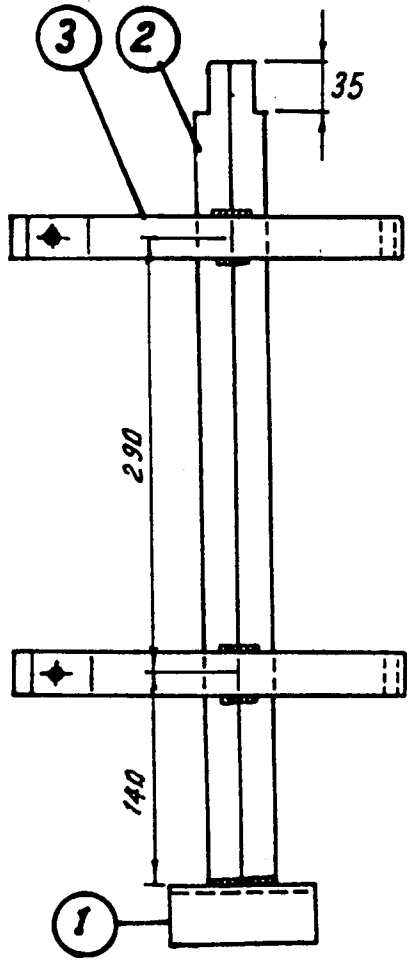
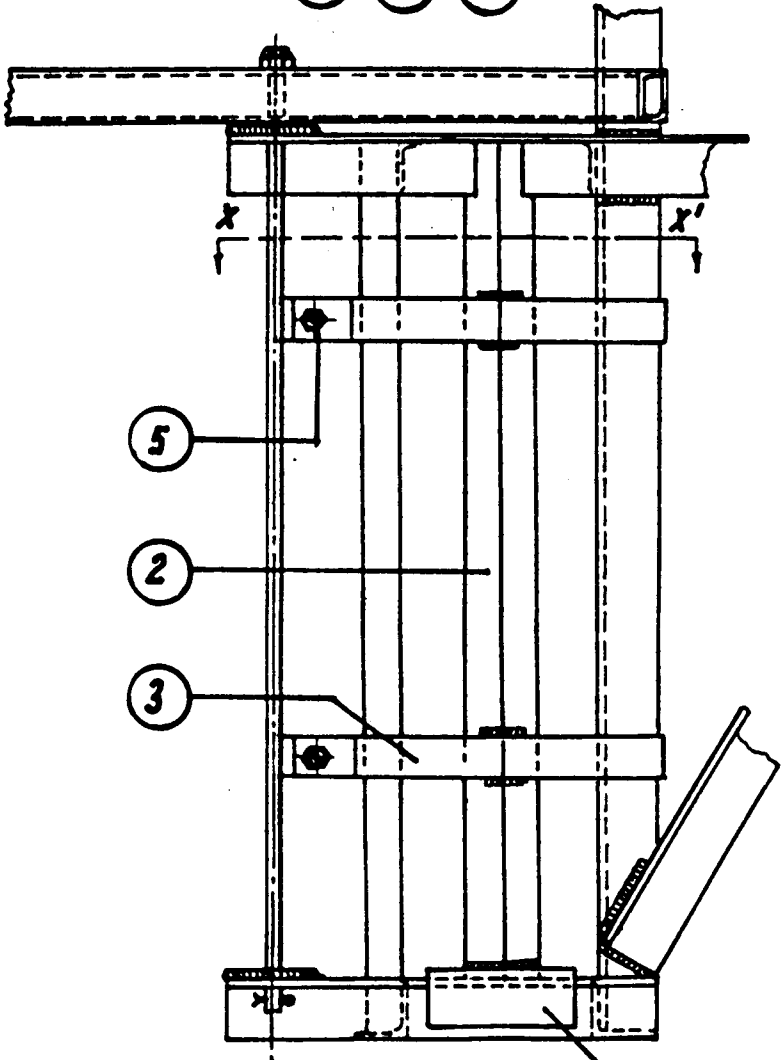
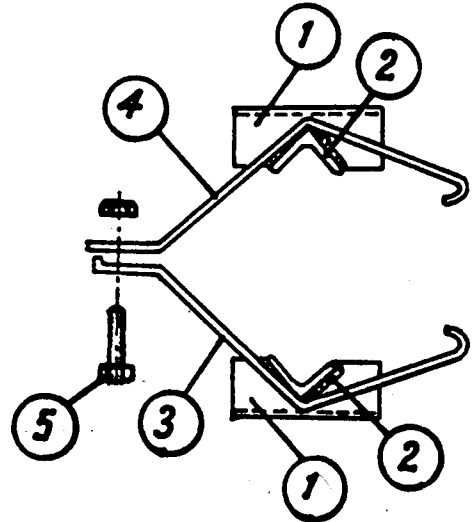
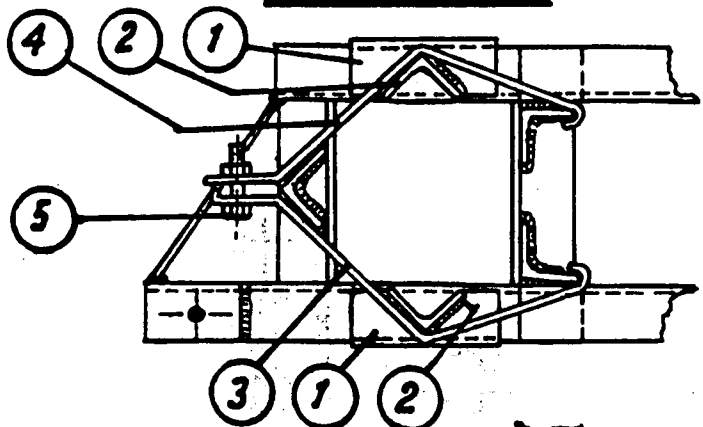


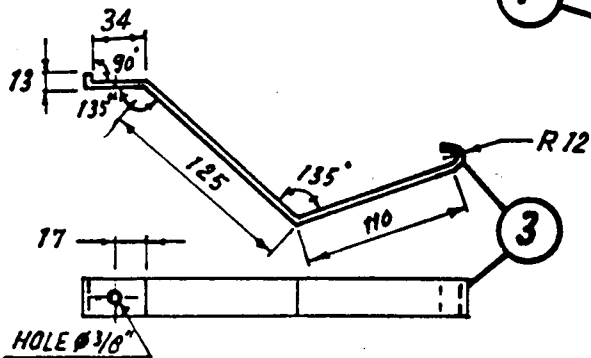
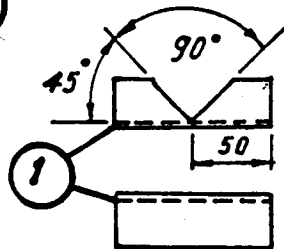
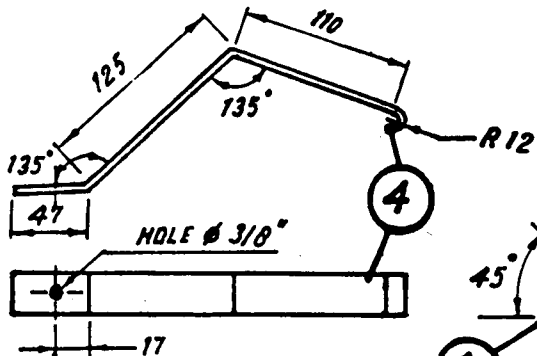
Fig. 17

PLAN X X'

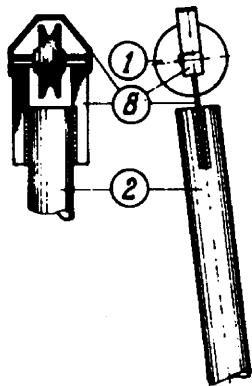


ELEVATION

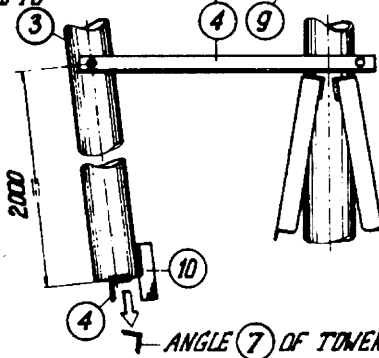
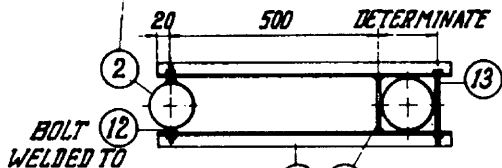
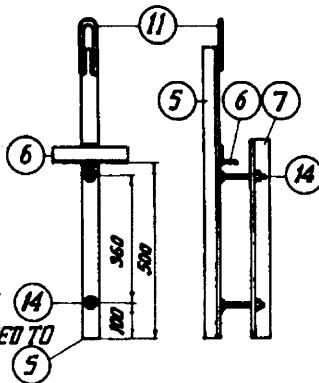
1



LIFTING HELP-VANE



LIFTING HOOK FOR HEAD CONSTRUCTION



ANGLE (7) OF TOWER (DRAWING NO 2)