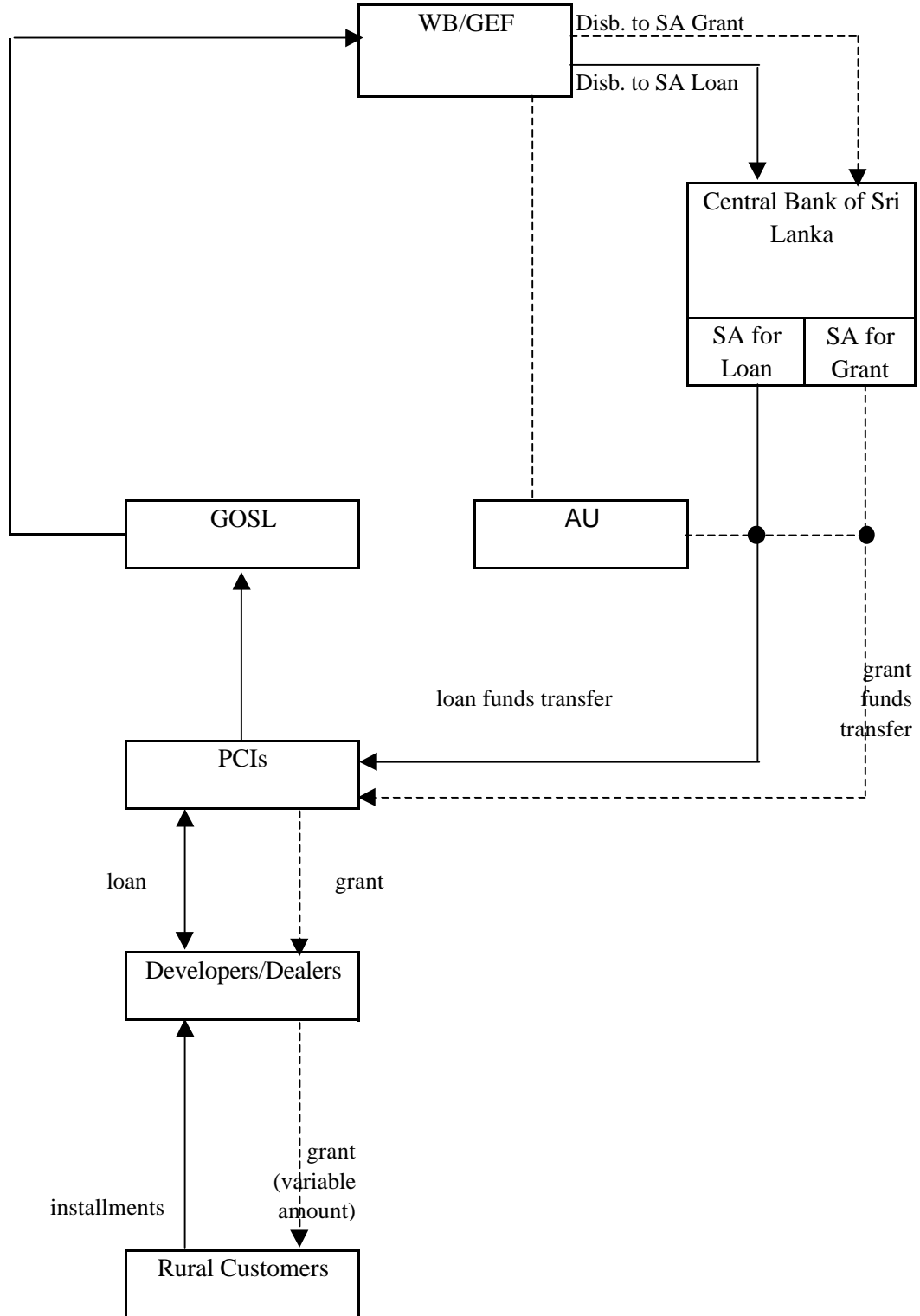


SRI LANKA

ENERGY SERVICES DELIVERY PROJECT

Disbursement of Grant and Loan Funds for SHS Component



Note: As a special case PCIs may also be permitted to lend directly to rural customers

File Name: DISBURSE